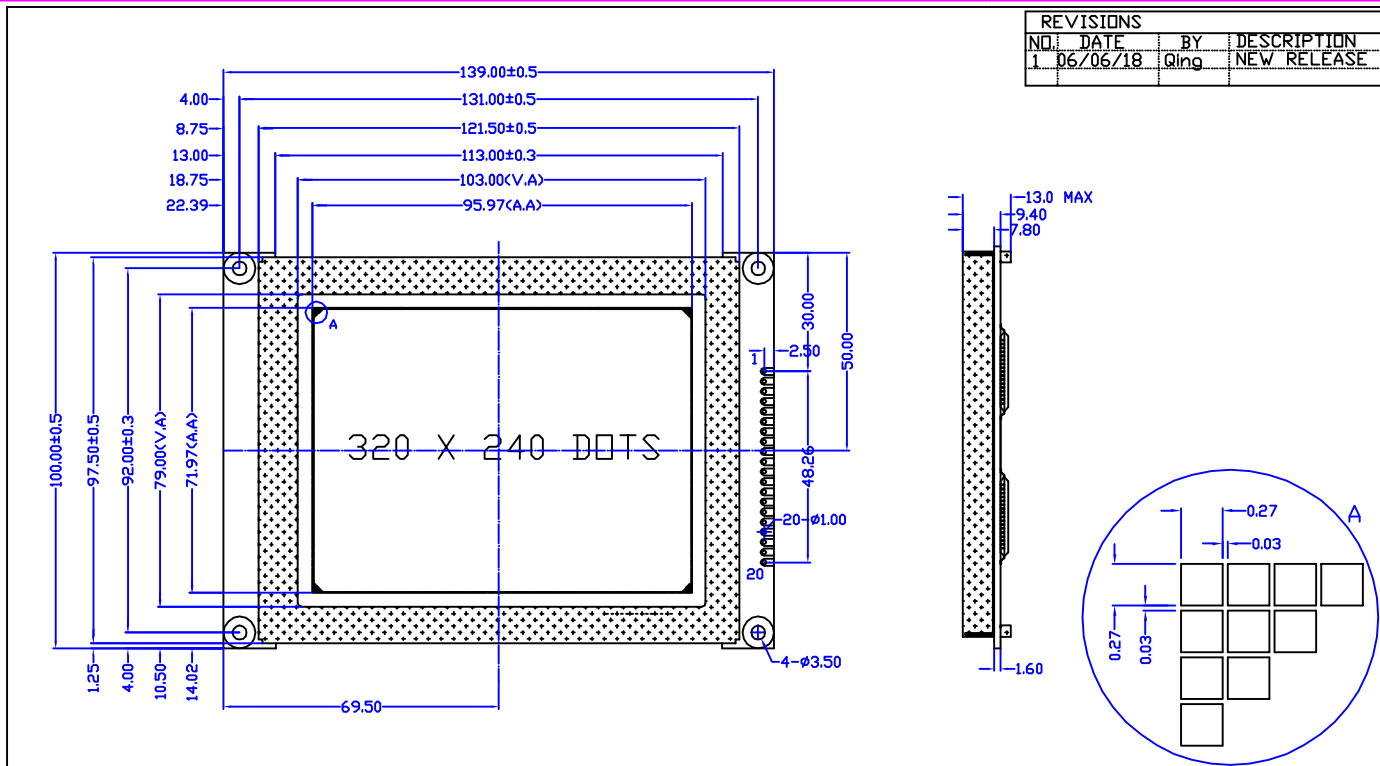


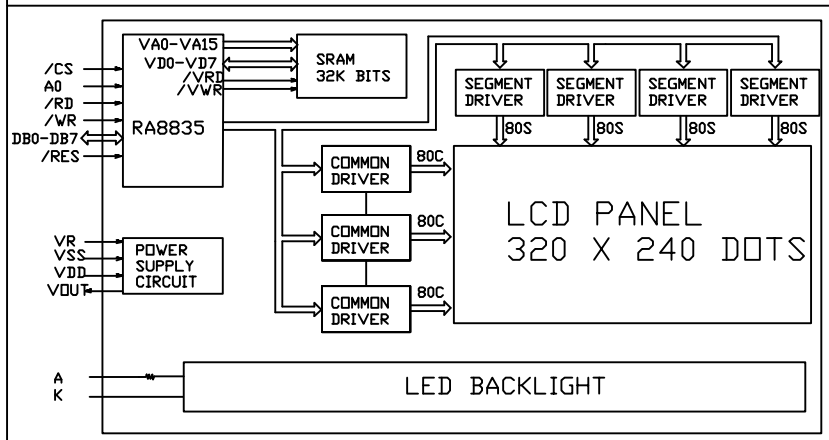
CUSTOMER'S APPROVED:

DATE:

REVISIONS			
NO.	DATE	BY	DESCRIPTION
1	06/06/18	Ging	NEW RELEASE



Block Diagram



Feature

- BUILT IN CONTROLLER: RA8835
- POWER SUPPLY: 5.0V
- LCD TYPE: BLUE STN, TRANSMISSIVE
- BACKLIGHT: LED SIDE BACKLIGHT
- COLOUR OF BACKLIGHT: WHITE
- 1/240 DUTY CYCLE, 1/16 BIAS
- VIEWING ANGLE: 6 O'CLOCK
- TEMPERATURE RANGE: EXTENDED (-20--70)
- LOW CONSUMPTION, LOW VOLTAGE, HIGH CONTRAST

Mechanical Data

ITEM	SPECIFICATION	UNIT
OVERALL SIZE	139.0W x 100.0H x 13.0T	MM
VIEWING AREA	103.0W x 79.0H	MM
DOT NUMBER	320 x 240	DOTS
DOT SIZE	0.27W x 0.27H	MM
DOT PITCH	0.30W x 0.30H	MM

Pin Assignment

NO.	SYMBOL	DESCRIPTION
1	VSS	GROUND
2	VDD	POWER SUPPLY FOR LOGIC AND LCD
3	VR	OPERATING VOLTAGE FOR LCD
4	/WR	WRITE SIGNAL
5	/RD	READ SIGNAL
6	/CE	CHIP ENABLE FOR RA8835
7	A0	COMMAND/DATA SELECTION
8	/RST	RESET SIGNAL (LOW EFFECTIVE)
9--16	DB0--DB7	DATA BUS
17	LEDA	LED BACKLIGHT POWER SUPPLY(+)
18	VOUT	NEGATIVE VOLTAGE INPUT/OUTPUT
19	LEDA	LED BACKLIGHT POWER SUPPLY(+)
20	LEDK	LED BACKLIGHT POWER SUPPLY(-)

Absolute Maximum Rating

ITEM	SYMBOL	MIN	MAX	UNIT
POWER SUPPLY(LOGIC)	VDD-VSS	0	6.5	V
POWER SUPPLY(LCD DRV.)	VDD-VR	0	30.0	V
INPUT VOLTAGE	VI	VI	VDD	V

Electrical Characteristics

ITEM	SYMBOL	MIN	TYP	MAX	UNIT	
VOLTAGE FOR LOGIC	VDD-VSS	4.75	5.0	5.25	V	
SUPPLY CURRENT	IDD	-	12.0	-	mA	
LCD OPERATING VOLTAGE	VDD-V0	0C	-	26.2	-	V
		25C	-	25.4	-	V
		40C	-	24.4	-	V
INPUT VOLTAGE	H	VIH	0.7VDD	-	VDD	V
	L	VIL	0	-	0.3VDD	V

DESCRIPTION: C/D	Distar Technology Limited	
GENERAL TOL: ±0.2	www.distarltd.com	Drw WXR
DO NOT SCALE THIS DRAWING.	Unit:mm	Chk
		Apv

DS-G320240E-BTSSWE-YAA