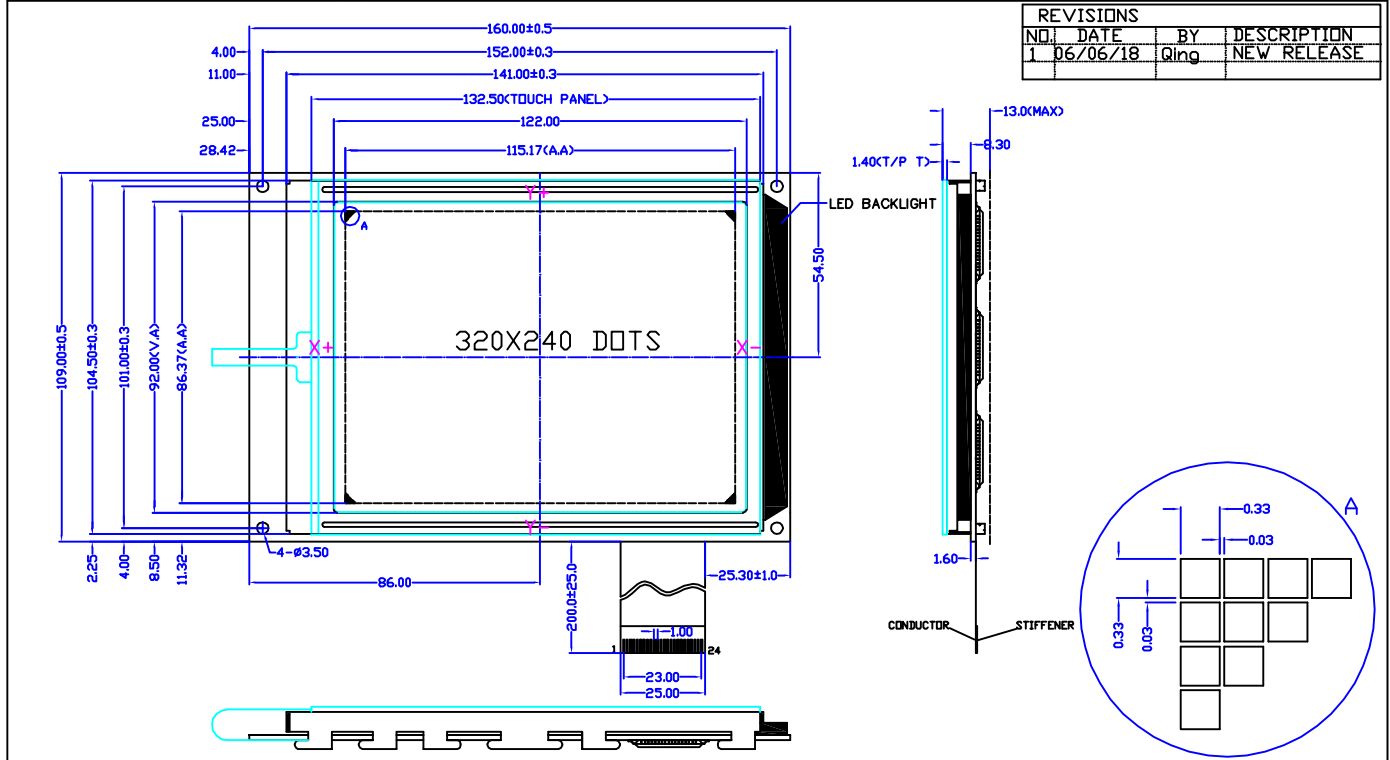


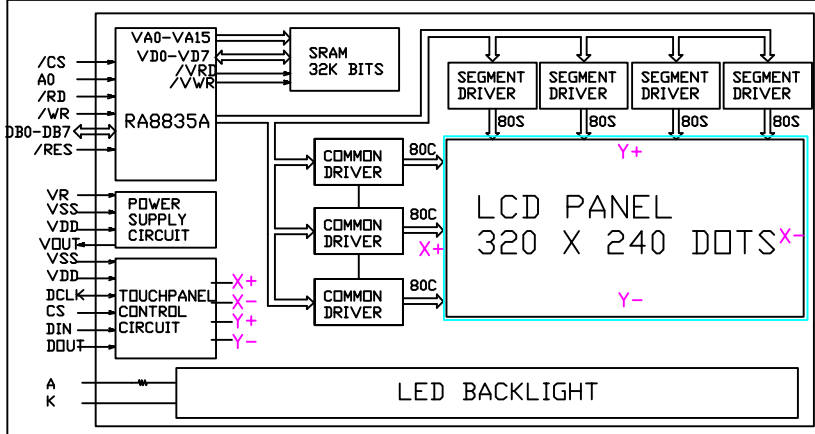
CUSTOMER'S APPROVED:

DATE:

| REVISIONS | | | |
|-----------|----------|------|-------------|
| NO. | DATE | BY | DESCRIPTION |
| 1 | 06/06/18 | Qing | NEW RELEASE |



Block Diagram



Feature

1. BUILT IN CONTROLLER: RA8835
2. POWER SUPPLY: 5.0V
3. LCD TYPE: BLUE STN, TRANSMISSIVE
4. BACKLIGHT: LED SIDE BACKLIGHT
5. COLOUR OF BACKLIGHT: WHITE
6. 1/240 DUTY CYCLE, 1/16 BIAS
7. VIEWING ANGLE: 6 O'CLOCK
8. TEMPERATURE RANGE: EXTENDED (-20--70)
9. LOW CONSUMPTION, LOW VOLTAGE, HIGH CONTRAST

Mechanical Data

| ITEM | SPECIFICATION | UNIT |
|--------------|-------------------------|------|
| OVERALL SIZE | 160.0W x 109.0H x 13.0T | MM |
| VIEWING AREA | 122.0W x 92.0H | MM |
| DOT NUMBER | 320 x 240 | DOTS |
| DOT SIZE | 0.33W x 0.33H | MM |
| DOT PITCH | 0.36W x 0.36H | MM |

Pin Assignment

| NO. | SYMBOL | DESCRIPTION |
|-------|----------|--------------------------------|
| 1 | /RST | RESET SIGNAL (LOW EFFECTIVE) |
| 2 | /RD | READ SIGNAL |
| 3 | /WR | WRITE SIGNAL |
| 4 | /CE | CHIP SELECTION |
| 5 | A0 | COMMAND/DATA SELECT |
| 6--13 | DB0--DB7 | DATA BUS |
| 14 | VDD | POWER SUPPLY FOR LOGIC AND LCD |
| 15 | VSS | GROUND |
| 16 | VOUT | NEGATIVE VOLTAGE INPUT/OUTPUT |
| 17 | VR | OPERATING VOLTAGE FOR LCD |
| 18 | SK | CLOCK (TP) |
| 19 | DO | DATA OUT (TP) |
| 20 | DI | DATA IN (TP) |
| 21 | CS | CHIP SELECT (TP) |
| 22 | IRQ | PEN INTERRUPT (TP) |
| 23 | A | LED BACKLIGHT POWER SUPPLY(+) |
| 24 | K | LED BACKLIGHT POWER SUPPLY(-) |

Absolute Maximum Rating

| ITEM | SYMBOL | MIN | MAX | UNIT |
|-------------------------|---------|-----|------|------|
| POWER SUPPLY (LOGIC) | VDD-VSS | 0 | 6.5 | V |
| POWER SUPPLY (LCD DRV.) | VDD-V0 | 0 | 30.0 | V |
| INPUT VOLTAGE | VI | VI | VDD | V |

Electrical Characteristics

| ITEM | SYMBOL | MIN | TYP | MAX | UNIT |
|-----------------------|---------|--------|------|--------|------|
| VOLTAGE FOR LOGIC | VDD-VSS | 4.75 | 5.0 | 5.25 | V |
| SUPPLY CURRENT | IDD | - | 12.0 | - | mA |
| LCD OPERATING VOLTAGE | VDD-VR | 0C | - | 24.2 | V |
| | | 25C | - | 23.0 | V |
| | | 40C | - | 22.4 | V |
| INPUT VOLTAGE | H VIH | 0.7VDD | - | VDD | V |
| | L VIL | 0 | - | 0.3VDD | V |

DESCRIPTION: C/D Distar Technology Limited

GENERAL TOL: ±0.2 www.distarltd.com Drw WXR

DO NOT SCALE THIS DRAWING. Unit:mm Chk Apv

DS-G320240D1-BTSSWE-YAA