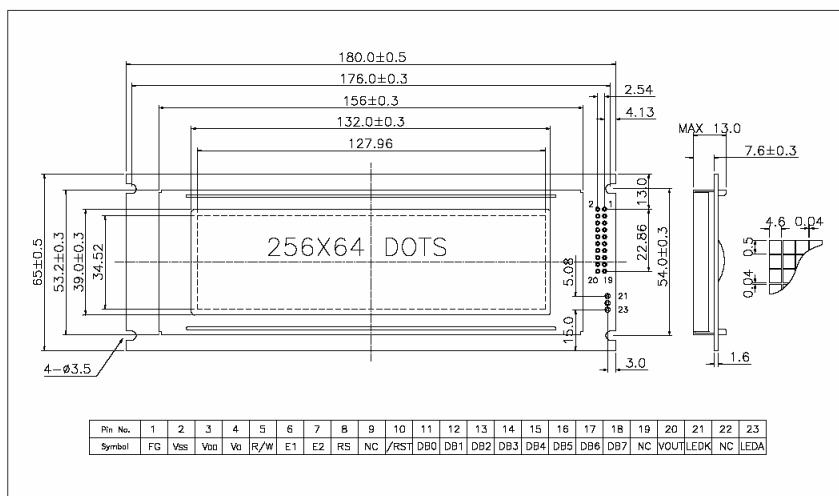


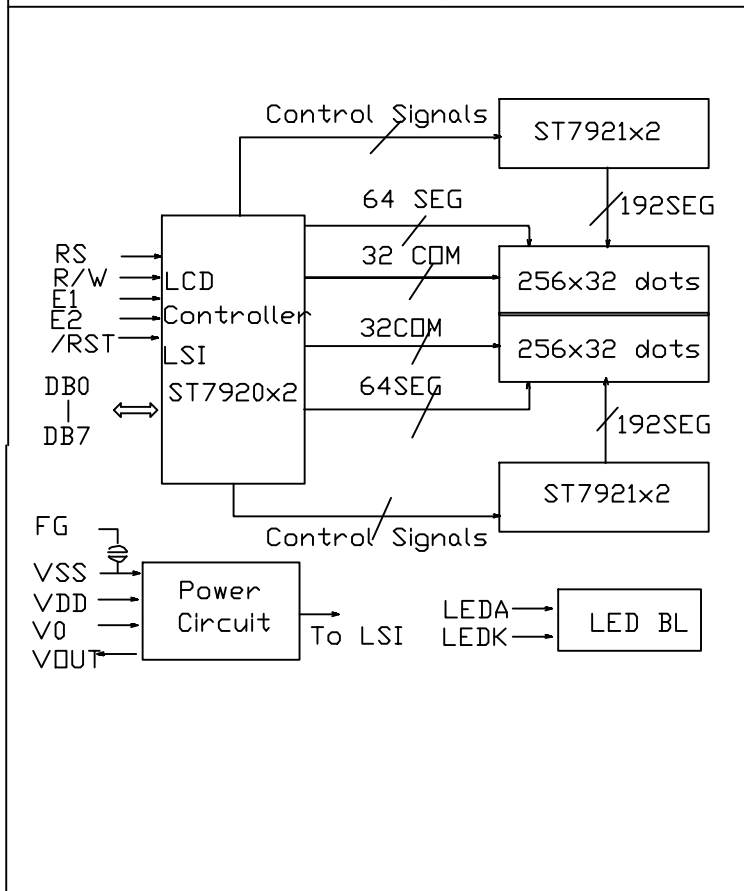
CUSTOMER'S APPROVED:

DATE:

REVISIONS			
NO.	DATE	BY	DESCRIPTION
1	07/10/20	WXR	NEW RELEASE



### Block Diagram



### Feature

1. BUILT IN CONTROLLER: ST7920 OR EQUIVALENT
2. POWER SUPPLY: 5.0V
3. LCD TYPE: Y-G STN, TRANSFLECTIVE
4. BACKLIGHT: LED SIDE BACKLIGHT
5. COLOUR OF BACKLIGHT: WHITE
6. 1/32 DUTY CYCLE, 1/6 BIAS
7. VIEWING ANGLE: 6 O'CLOCK
8. TEMP RANGE: Top: -20--70C; Tst: -30--80C
9. LOW CONSUMPTION, LOW VOLTAGE, HIGH CONTRAST

### Mechanical Data

ITEM	SPECIFICATION	UNIT
OVERALL SIZE	180.0W x 65.0H x 13.0T	MM
VIEWING AREA	132.0W x 39.0H	MM
DOT NUMBER	256 x 64	DOTS
DOT SIZE	0.46W x 0.50H	MM
DOT PITCH	0.50W x 0.54H	MM

### Absolute Maximum Rating

ITEM	SYMBOL	MIN	MAX	UNIT
POWER SUPPLY (LOGIC)	VDD-VSS	-0.3	5.5	V
POWER SUPPLY (LCD DRV.)	V0-VSS	-0.3	7.0	V
INPUT VOLTAGE	VI	-0.3	VDD+0.3	V

### Electrical Characteristics

ITEM	SYMBOL	MIN	TYP	MAX	UNIT
VOLTAGE FOR LOGIC	VDD-VSS	4.5	5.0	5.5	V
SUPPLY CURRENT	IDD	-	10.0	-	mA
LCD OPERATING VOLTAGE	0C	-	6.7	-	V
	25C	-	6.5	-	V
	40C	-	6.3	-	V
INPUT VOLTAGE	H VIH	0.7VDD	-	VDD	V
	L VIL	-0.3	-	0.6	V

DESCRIPTION: C/D	Distar Technology Limited	
GENERAL TOL: ±0.2	<a href="http://www.distarltd.com">www.distarltd.com</a>	Drw WXR
DO NOT SCALE THIS DRAWING.		Chk Apv

DS-G25664A-YFSDWE-YAA