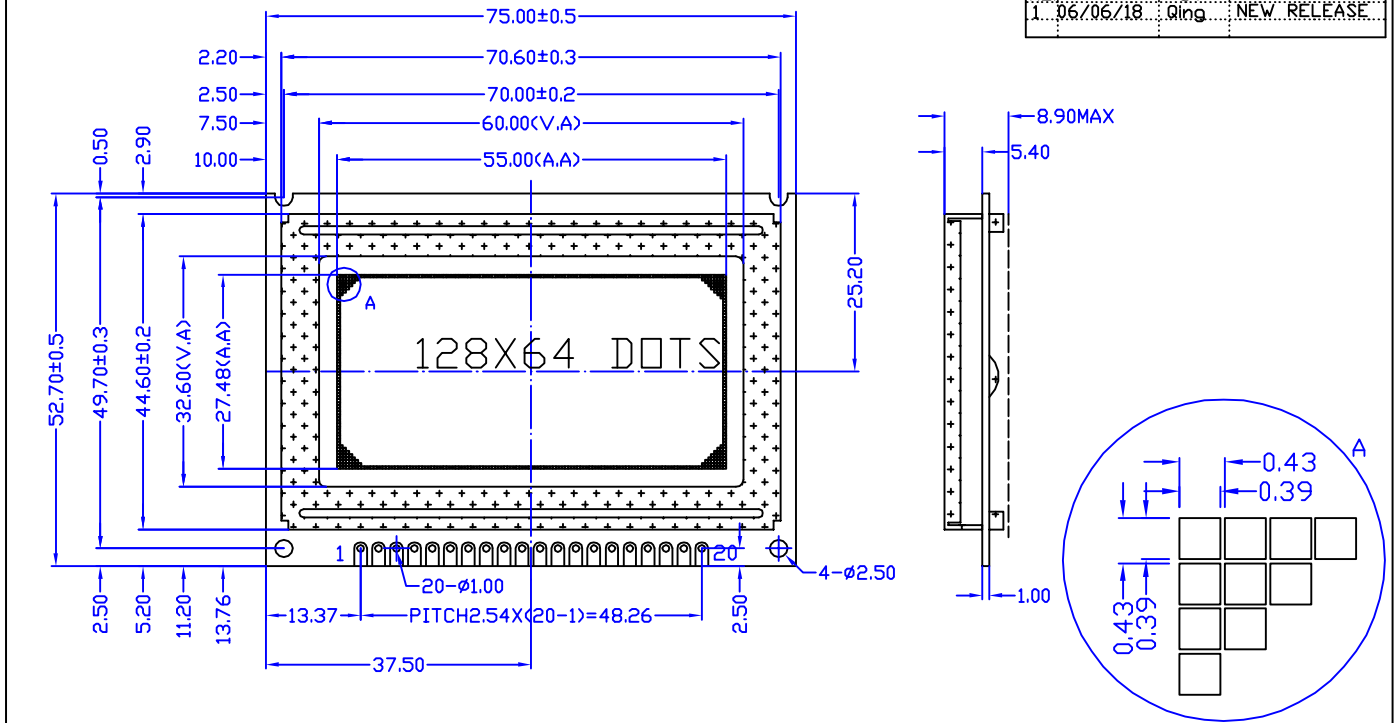


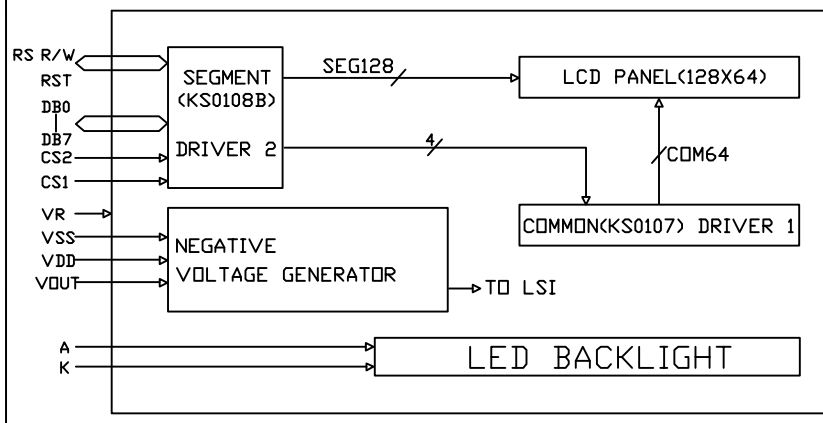
CUSTOMER'S APPROVED:

DATE:

REVISIONS			
NO.	DATE	BY	DESCRIPTION
1.	06/06/18	Qing	NEW RELEASE



Block Diagram



Feature

1. BUILT IN CONTROLLER: KS0107B,KS0108B
2. POWER SUPPLY: 5.0V
3. LCD TYPE: BLUE STN, TRANSMISSIVE
4. BACKLIGHT: LED SIDE BACKLIGHT
5. COLOUR OF BACKLIGHT: WHITE
6. 1/64 DUTY CYCLE, 1/9 BIAS
7. VIEWING ANGLE: 6 O'CLOCK
8. TEMPERATURE RANGE: EXTENDED(-20--70)
9. LOW CONSUMPTION, LOW VOLTAGE, HIGH CONTRAST

Mechanical Data

ITEM	SPECIFICATION	UNIT
OVERALL SIZE	75.0W x 52.7H x 8.9T	MM
VIEWING AREA	60.0W x 32.6H	MM
DOT NUMBER	128 x 64	DOTS
DOT SIZE	0.39W x 0.39H	MM
DOT PITCH	0.43W x 0.43H	MM

Pin Assignment

NO.	SYMBOL	DESCRIPTION
1	VDD	POWER SUPPLY FOR LOGIC AND LCD
2	VSS	GROUND
3	VR	OPERATING VOLTAGE FOR LCD
4--11	DB0--DB7	DATA BUS
12	/CS1	CHIP SELECT OF LEFT PANEL
13	/CS2	CHIP SELECT OF RIGHT PANEL
14	/RST	RESET
15	R/W	READ/WRITE SELECT
16	D/I	DATA/INSTRUCTION SELECT
17	E	ENABLE SELECT
18	VOUT	NEGATIVE VOLTAGE INPUT/OUTPUT
19	A	LED BACKLIGHT POWER SUPPLY(+)
20	K	LED BACKLIGHT POWER SUPPLY(-)

Absolute Maximum Rating

ITEM	SYMBOL	MIN	MAX	UNIT
POWER SUPPLY(LOGIC)	VDD-VSS	0	6.5	V
POWER SUPPLY(LCD DRV.)	VDD-V0	0	18.0	V
INPUT VOLTAGE	Vi	Vi	VDD	V

Electrical Characteristics

ITEM	SYMBOL	MIN	TYP	MAX	UNIT
VOLTAGE FOR LOGIC	VDD-VSS	4.75	5.0	5.25	V
SUPPLY CURRENT	IDD	-	12.0	-	mA
LCD OPERATING VOLTAGE	VDD-V0	0C	-	8.5	V
		25C	-	8.0	V
		40C	-	7.5	V
INPUT VOLTAGE	H	ViH	0.7VDD	-	VDD
	L	ViL	0	-	0.3VDD

DESCRIPTION: C/D	Distar Technology Limited	
GENERAL TOL: ±0.2	www.distarltd.com	Drw WXR
DO NOT SCALE THIS DRAWING.	Unit:mm	Chk Apv

DS-G12864C-BTSSWE-YAA